

Date: _____

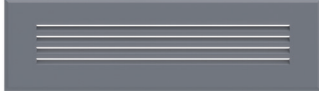
Type: _____

Luminaire: _____

Project: _____

Approved:

FCSL1103



FCSL1103 10" exterior die-cast aluminum step light with heavy-walled, die-cast louvered faceplate, for masonry or drywall construction. IP66 rated for damp, dry or wet locations.



SPECIFICATIONS

PHYSICAL

dimensions	10" W x 3" H x 3.2" D
weight	3 lbs
housing	Marine grade, corrosion resistant, heavy-walled, high pressure, die-cast aluminum with snap-in Screwless faceplate standard. Optional captive recessed stainless steel tamper resistant screws (TRS option). Back Box is high strength, black Polycarbonate with UV protection (UL 746C rated f1) and flame rated (UL94 5VA).
lens	Frosted Glass Lens
mounting	Concrete pour, masonry, solid composite, special construction, and drywall construction mounting kit included. Hanger bar mounting optional.
ingress protection	Optical, driver unit is IP66 rated dry, damp or wet locations. All seals are injection molded silicone.
faceplate finish	Available in Black, Bronze, Graphite Grey, Silver, White and Custom Colors. Die cast aluminum faceplate. Six stage chemical iron phosphate conversion pre-treatment. Polyester powder coat finish, 18 µm minimum thickness, 3,000 hour salt spray test (ASTM B117) compliant with Florida, AAMA 2604 specification.

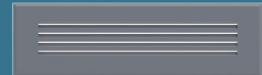
PERFORMANCE

color temperature	2700K, 3000K, 3500K, 4000K, 5000K
lumen output	100 lm, 200 lm
lumen maintenance	L70 >72,000 hours
color consistency	3 SDCM / 85 CRI
forward throw @ 2 FT high	0.1 fc @ 12 FT forward
side throw @ 2 FT high	0.1 fc @ 16 FT wide
maximum candela	116 CD
BUG rating	B0-U0-G0
operating temperature	-4°F to 122°F (-20°C to 50°C)
warranty	5-Year limited warranty

ELECTRICAL

input voltage	Universal 120 - 277 VAC
power supply	Integral, electronic high-power factor > 90%, THD of ≤ 20%
certifications	cETLus
power consumption	6W (100 lm), 12W (200 lm)
dimming	Tri-Dim (1%, 0-10V, 120 - 277 VAC), (1%, TRIAC & ELV, 120 VAC Only)

Due to continuous development and improvements, specifications are subject to change without notice. FC Lighting reserves the right to change lab test details or specifications without notice. Product use certifies agreement to FC Lighting terms and conditions.



Ordering Information

ORDERING INFORMATION

FCSL1103	UNV		CRI85			TD		
MODEL	VOLTAGE	CCT	CRI	LUMENS ¹	FINISH	DIMMING	OPTIONS	
FCSL1103	UNV	120 - 277 VAC	27K 2700K	CRI85 85 CRI	1L 100 lm (6W)	TD Standard Tri-Dim (1% 0-10V, 120 - 277 VAC), (1% TRIAC & ELV, 120 VAC Only)	TRS Tamper Resistant Screws (Torx Pin)	
			3K 3000K		2L 200 lm (12W)		BRE Bronze	HB Hanger Bar (Drywall Mounting)
			35K 3500K				GRE Graphite Grey	LBB ² Less Back Box (for shipment separate of Back Box)
			4K 4000K				SLE Silver	
			5K 5000K				WHE White	
					CCE Custom Color			

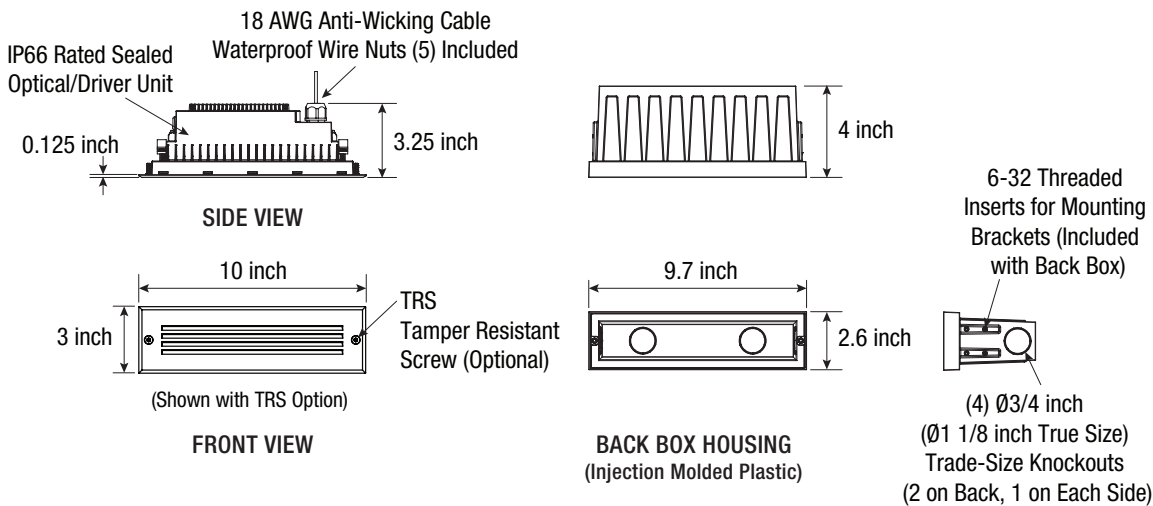
Footnote:
¹ Typical 4K, CRI85
² Luminaire must be mounted into FC Lighting supplied Back Box shipped with or separate of luminaire.

BACK BOX KITS

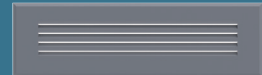
- HSL1100-02-KIT** Back Box Kit - Complete Back Box shipped with mounting kit, shipped in advance of luminaire.
- HSL1100-02-KIT-HB** Back Box Kit w/ Hanger Bar - Includes (HSL1100-02-KIT) Complete Back Box shipped with mounting kit and Hanger Bar (HB), shipped in advance of luminaire.

PRODUCT DIMENSIONS

PRODUCT DIMENSIONS		MOUNTING	
width	10" W	back box width	9.7" W
height	3" H	back box height	2.6" H
depth	3.25" D	back box depth	4" D



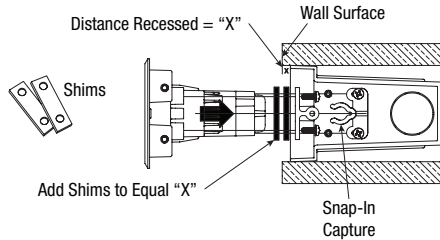
Due to continuous development and improvements, specifications are subject to change without notice. FC Lighting reserves the right to change lab test details or specifications without notice. Product use certifies agreement to FC Lighting terms and conditions.



Back Box Assemblies and Options

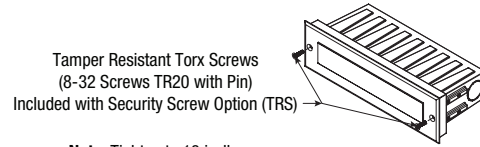
SHIMS - (8 each) Included with Luminaire

Shims provided to compensate for Back Box misalignment



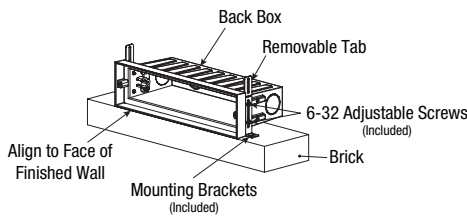
OPTIONAL — Tamper Resistant Screws (TRS)

Torx screws with pin, finished to compliment faceplate finish

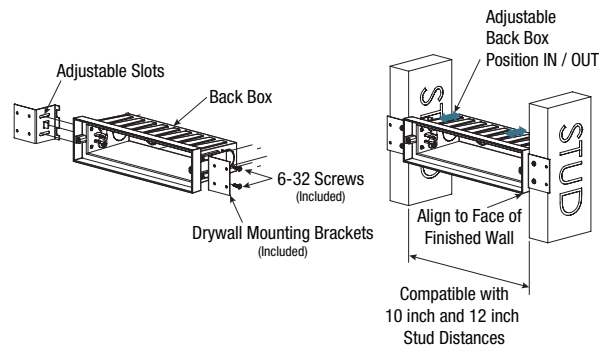


Note: Tighten to 18 in-lbs

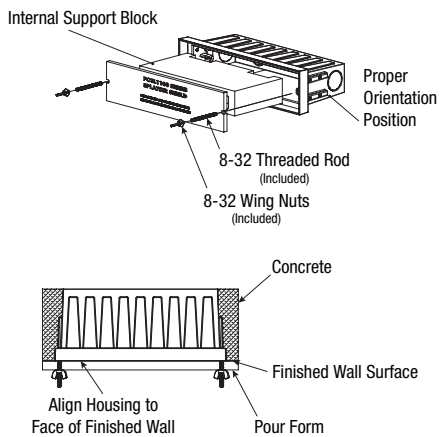
MASONRY BRACKETS — Included with Black Box Kit



DRYWALL BRACKETS — Included with Black Box Kit

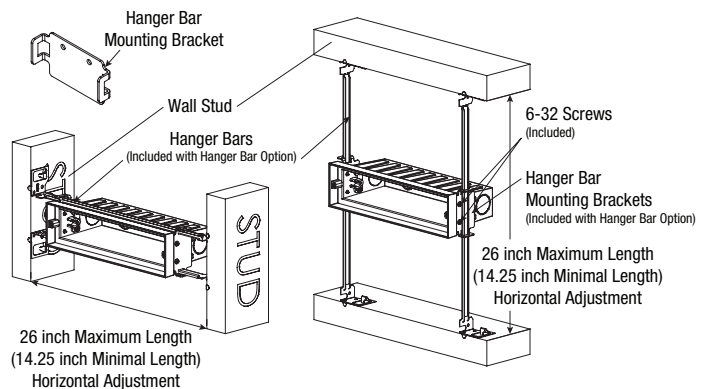


CONCRETE POUR SETUP — Included with Black Box Kit

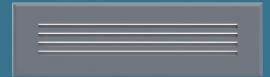


IMPORTANT: Fresh concrete corrodes aluminum with subsequent release of hydrogen. Concrete must be fully cured prior to installation of steplight to prevent any damage.

OPTIONAL — Hanger Bars (HB)



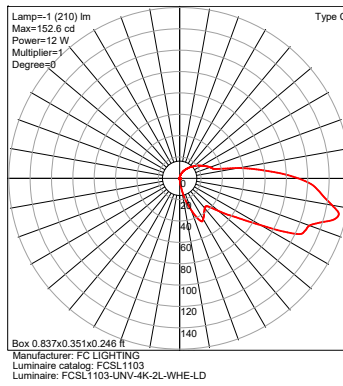
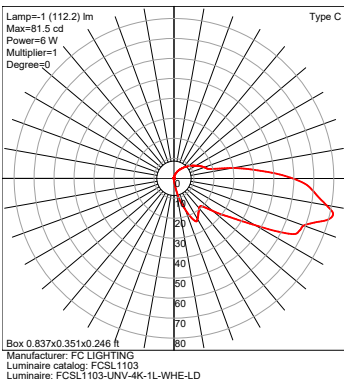
Due to continuous development and improvements, specifications are subject to change without notice. FC Lighting reserves the right to change lab test details or specifications without notice. Product use certifies agreement to FC Lighting terms and conditions.



Photometry

OPTICAL DISTRIBUTION

lumen output	100 lm	200 lm
power consumption	6W	12W



IES MULTIPLIER	
CCT (CRI85)	Multiplier
2700	0.91
3000	0.94
3500	0.96
4000	1.00
5000	1.00

Due to continuous development and improvements, specifications are subject to change without notice. FC Lighting reserves the right to change lab test details or specifications without notice. Product use certifies agreement to FC Lighting terms and conditions.