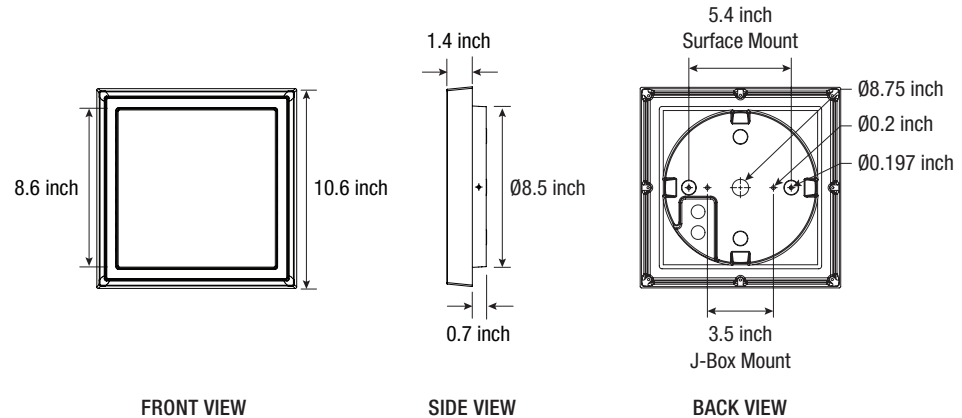


FCW3701, 10-INCH SQUARE, LOW-PROFILE — INSTALLATION INSTRUCTIONS

CAUTION: BEFORE CONNECTING THE LUMINAIRE TO A POWER SUPPLY, MAKE SURE THE POWER IS SWITCHED OFF.

DETAILED ILLUSTRATION



GENERAL:

1. Before starting the installation, make sure all electricity has been turned off and electrical breaker has been locked out and tagged out.
2. To ensure the success of the installation, be sure to read these instructions and review the diagrams thoroughly before beginning.
3. All electrical connections must be in accordance with local codes, ordinances, or the National Electrical Code.
4. These luminaires are intended to be mounted directly to the building structure, over the electrical junction box or conduit outing.
5. All luminaires to be installed by a qualified electrician.

NOTE: The important safeguards and instructions appearing in this manual are not meant to cover all possible conditions and situations that may occur.

INSTALLATION:

1. Remove Back Cover by loosening (4) Set Screws and mount to J-Box or Surface with Mounting Screws (third-party hardware).
2. Connect ground, power, and dimming wires to source with wire nuts (third-party hardware).
3. Secure Front Cover by tightening (4) Set Screws.
4. Installer **MUST** add a bead of silicone caulk where edges of luminaire meets the mounting surface top and sides to avoid water seepage (not bottom).

WARNING: Failure to properly seal luminaire to surface may compromise the IP66 rating and void the luminaire warranty.

