

FCW3701

10" Square Slim Profile Exterior Décor



FEATURES

- Up to 1500 lm @ 14W Max, Over 100 LPW
- Easy to install
- IK10, High impact resistant lens
- Ceiling, surface, or wall mount
- Multiple color finishes
- 3G Vibration Tested
- 85 CRI with 3 SDCM

PERFORMANCE

CCT Options: 2700K, 3000K, 3500K, 4000K
CRI: 85 CRI
Consistency: 3 SDCM (Luminaire to Luminaire)
Lumens: 500-1500 lm
Lifetime: L70 >70,000 hours



PHYSICAL

Mounting: Ceiling, wall or surface mount applications: mounting holes allow unit to be attached directly to octagonal junction box or to surface

Ingress Protection: IP66 Rated. Suitable for wet, damp or dry location application, with extruded silicone gasket to seal out contaminant

Finish: Six stage chemical iron phosphate conversion pre-treatment. Polyester powder coat finish, 18 µm Min., 5000hr salt spray test (ASTM B117) compliant with Florida / AAMA 2604 specification.

Warranty: 5-Year Limited material and Workmanship Warranty. Lifetime Vandal Resistance Warranty.

Housing: Marine grade, corrosion resistant, heavy gauge high pressure die cast aluminum

Lens: Impact and vandal resistant, UV stabilized, white polycarbonate. IK10 Rating.

ELECTRICAL

Voltage: Standard: Universal 120–277 Volt AC, Optional: 347 Volt (remote only)

Power Supply: Integral Class II, electronic high-power factor >.94 @120V

Power Consumption: 14W @ 120V AC Max

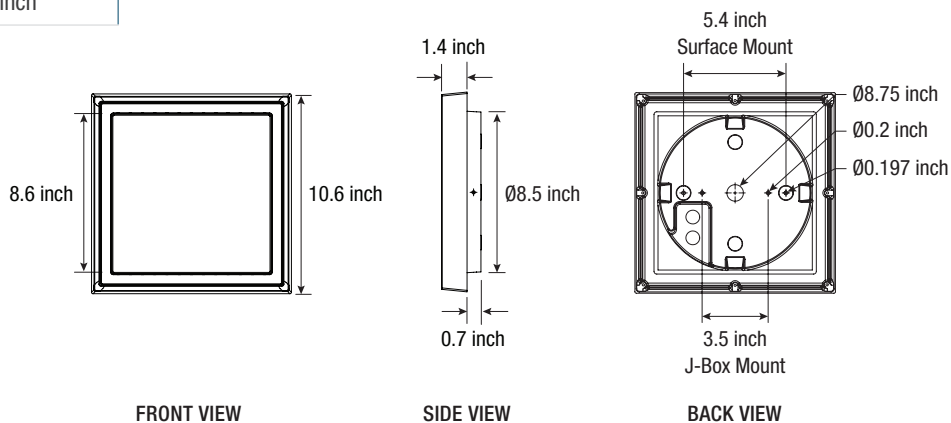
Dimming: Standard: Tri-Dim (UNV Only); 0-10V to 1% at 120–277 VAC; TRIAC/ELV to 1% at 120 VAC only), Optional 347 VAC (0-10V to 1%, remote driver)

Certification: ADA Compliant

Standards: ETL / cETLus Listed, CE, NOM

PHYSICAL DIMENSIONS

height & width	10.6 inch
depth (bottom)	2.1 inch

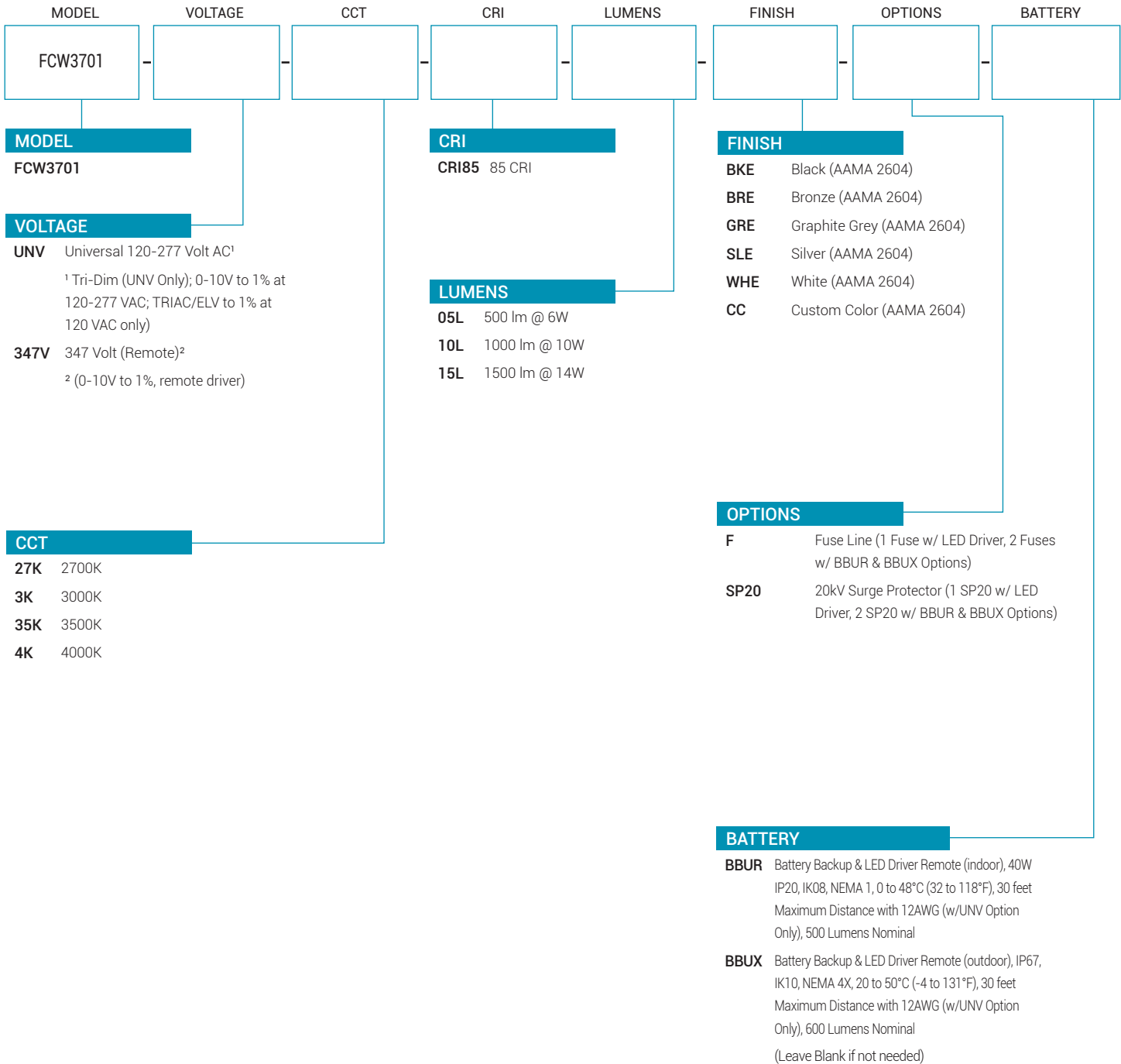


Due to continuous development and improvements, specifications are subject to change without notice. FC Lighting reserves the right to change lab test details or specifications without notice. Product use certifies agreement to FC Lighting terms and conditions.

FCW3701

PRODUCT CODE

EXAMPLE: FCW3701-UNV-3K-CRI85-15L-BKE-F



Due to continuous development and improvements, specifications are subject to change without notice. FC Lighting reserves the right to change lab test details or specifications without notice. Product use certifies agreement to FC Lighting terms and conditions.

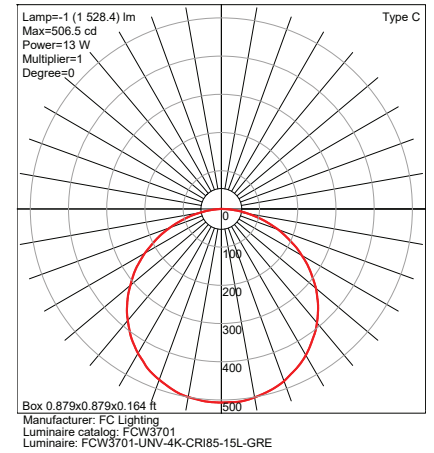
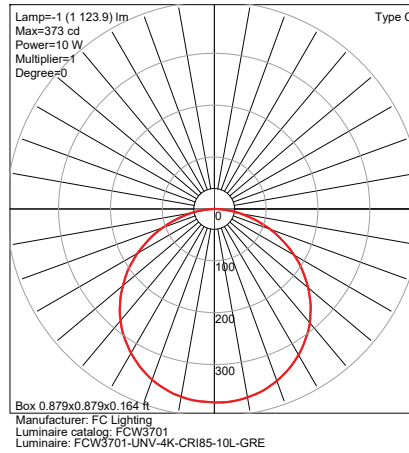
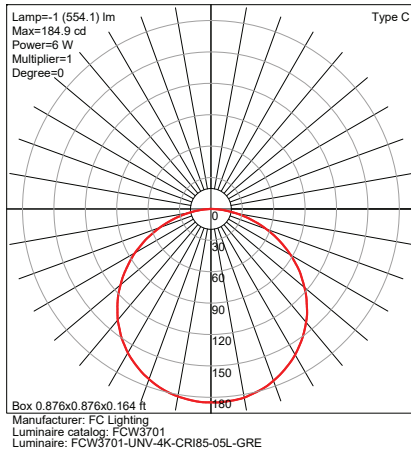
FCW3701

LUMENS

Model	Watts	3K	4K
FCW3701	6W	500 lm	500 lm
FCW3701	10W	1000 lm	1000 lm
FCW3701	14W	1500 lm	1500 lm

CCT Multiplier (CRI85)	
CCT	Multiplier
2700K	0.91
3000K	0.94
3500K	0.96
4000K	1

PHOTOMETRICS



Due to continuous development and improvements, specifications are subject to change without notice. FC Lighting reserves the right to change lab test details or specifications without notice. Product use certifies agreement to FC Lighting terms and conditions.

 US Commercial Lighting Manufacturer Since 1982