

FCW335X SERIES, 10-INCH SQUARE — INSTALLATION INSTRUCTIONS

CAUTION: BEFORE CONNECTING THE LUMINAIRE TO A POWER SUPPLY, MAKE SURE THE POWER IS SWITCHED OFF.

Includes: FCW3350, FCW3352, & FCW3353

DETAILED ILLUSTRATION



Back Gasket

GENERAL:

1. Before starting the installation, make sure all electricity has been turned off and electrical breaker has been locked out and tagged out.
2. To ensure the success of the installation, be sure to read these instructions and review the diagrams thoroughly before beginning.
3. All electrical connections must be in accordance with local codes, ordinances, or the National Electrical Code.
4. These luminaires are intended to be mounted directly to the building structure, installed over a Junction Box or conduit outing.
5. All luminaires to be installed by a qualified electrician.

NOTE: The important safeguards and instructions appearing in this manual are not meant to cover all possible conditions and situations that may occur.

INSTALLATION:

1. Loosen 4 bolts to remove Lens, Gasket, and Lens Frame to access nuts securing Mounting Bracket, remove nuts and retain for later use.

IMPORTANT: Notice Lens Frame orientation for ASYMMETRICAL Models.

2. Silicone Mounting Plate to surface, wall, or ceiling for IP66 rating, before mounting center over junction box, secure to surface with screws (provided by others 1/4" nominal diameter).

IMPORTANT: Ensure luminaire is level before tightening.

3. Attach wires from source to luminaire.

IMPORTANT: Make sure all connections follow code requirements.

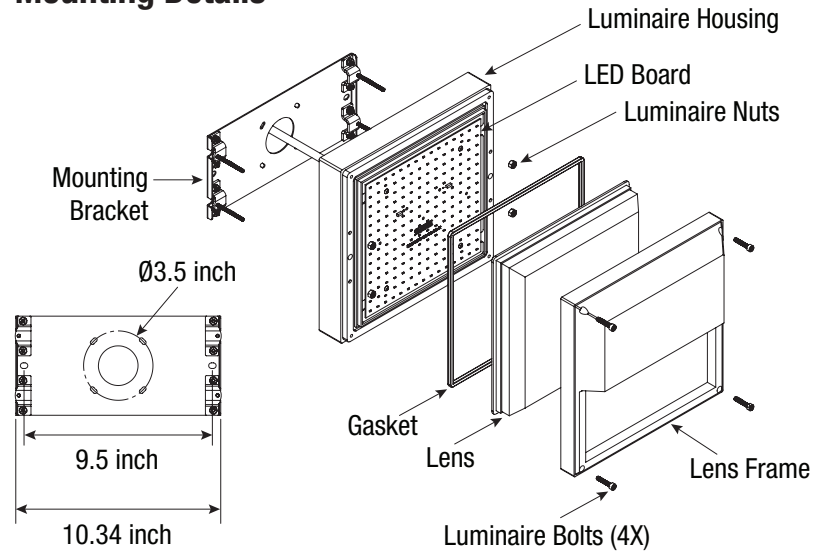
4. Re-attached the luminaire to the Mounting Bracket with retained nuts from step 1.

5. Re-attached Lens, Gasket, and Lens Frame to luminaire.

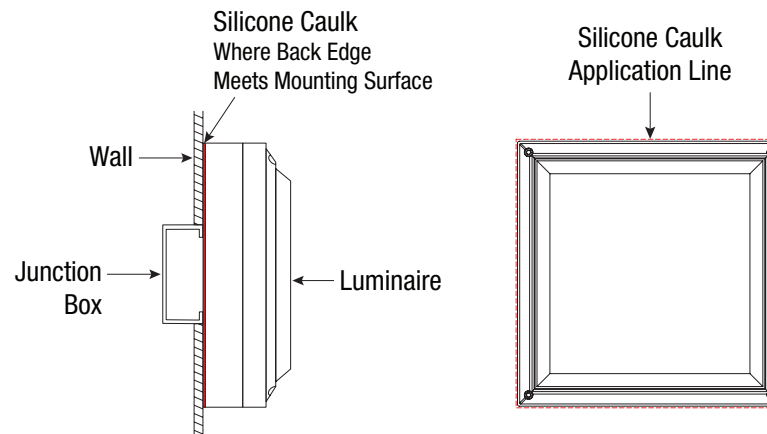
6. Installer **MUST** add a bead of silicone where back edge of luminaire housing meets the mounting surface.

IMPORTANT: All FCL I SSL products can be cleaned with non-abrasive and chemical free agents. Use a soft cloth with mild detergent on exterior only.

Mounting Details



Assembled & Mounted View



FCW335X SERIES, 10-INCH SQUARE — INSTALLATION INSTRUCTIONS

CAUTION: BEFORE CONNECTING THE LUMINAIRE TO A POWER SUPPLY, MAKE SURE THE POWER IS SWITCHED OFF.

Includes: FCW3350, FCW3352, & FCW3353

DETAILED ILLUSTRATION



Conduit Surface Mount (CSM)

GENERAL:

1. Before starting the installation, make sure all electricity has been turned off and electrical breaker has been locked out and tagged out.
2. To ensure the success of the installation, be sure to read these instructions and review the diagrams thoroughly before beginning.
3. All electrical connections must be in accordance with local codes, ordinances, or the National Electrical Code.
4. These luminaires are intended to be mounted directly to the building structure, installed over a Junction Box or conduit outing.
5. All luminaires to be installed by a qualified electrician.

NOTE: The important safeguards and instructions appearing in this manual are not meant to cover all possible conditions and situations that may occur.

INSTALLATION:

1. Loosen 4 bolts to remove Lens, Gasket, and Lens Frame to access nuts to Conduit Surface Mounting (CSM) box, remove nuts securing CSM box and retain for later use.

IMPORTANT: Notice Lens Frame orientation for ASYMMETRICAL Models.

2. Secure CSM box to J-Box with screws (provided by others), additional holes on CSM box to be used to secure to surface of wall or ceiling with screws (provided by others 1/4" nominal diameter)

IMPORTANT: Ensure CSM box is level before tightening.

IMPORTANT: Ensure supply connection wires are accessible after mounting CSM box.

3. Connect wires from source to luminaires.

IMPORTANT: Make sure all connections follow code requirements.

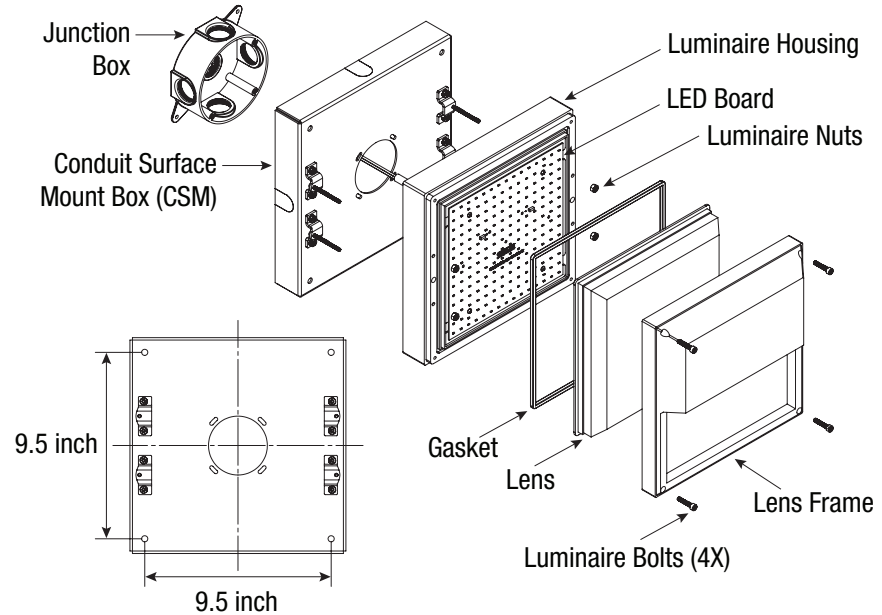
4. Attached the Luminaire to the CSM box with retained nuts from step 1.

5. Re-attached Lens, Gasket, and Lens Frame to luminaire.

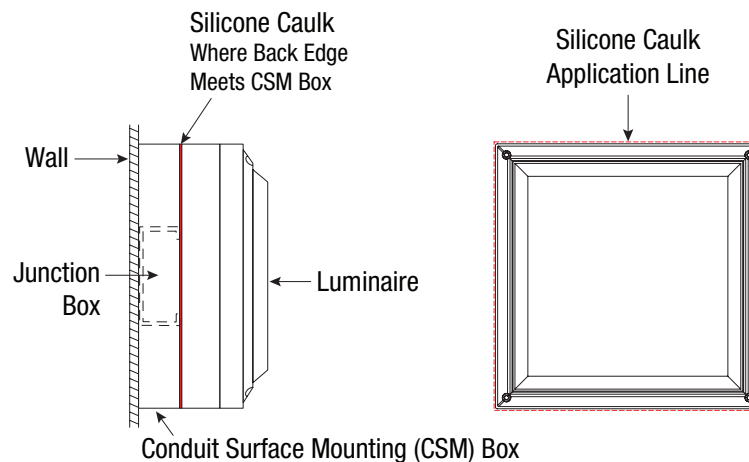
6. Installer MUST add a bead of silicone where back edge of luminaire housing meets the mounting surface.

IMPORTANT: All FCL I SSL products can be cleaned with non-abrasive and chemical free agents. Use a soft cloth with mild detergent on exterior only.

Mounting Details

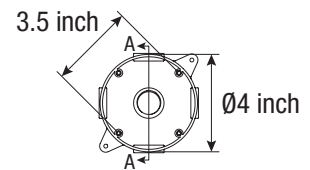


Assembled & Mounted View

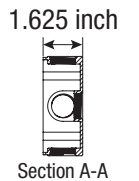


Junction Box

For use with 4" round, 1.5" deep weatherproof Junction Box and conduit fittings all marked suitable for wet locations.



TOP VIEW



SIDE VIEW

FCW335X SERIES, 10-INCH SQUARE — INSTALLATION INSTRUCTIONS

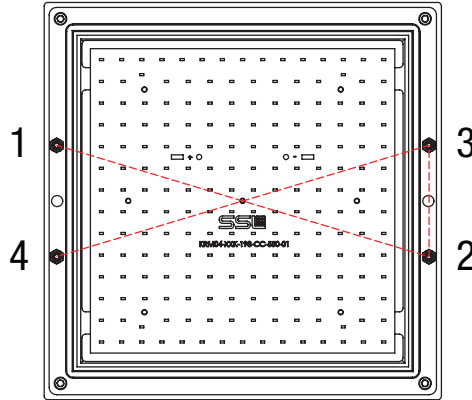
CAUTION: BEFORE CONNECTING THE LUMINAIRE TO A POWER SUPPLY, MAKE SURE THE POWER IS SWITCHED OFF.

Includes: FCW3350, FCW3352, & FCW3353

DETAILED ILLUSTRATION

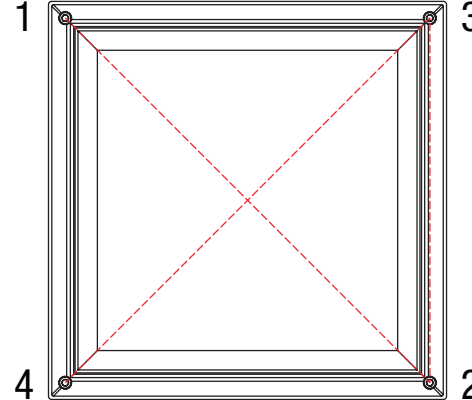


Torque Pattern Sequence



HOUSING TORQUE

Housing Torque Specifications			
Initial Drive	Secondary Torque (IN-LBS)	Final Torque (IN-LBS)	
Finger Tighten	20	40	- (4) Nylon Lock Nuts - Tool: 11/32" Hex



LENS FRAME TORQUE

Lens Frame Torque Specifications			
Initial Drive	Secondary Torque (IN-LBS)	Final Torque (IN-LBS)	
Finger Tighten	20	40	- (4) Tamper Proof Screws - Tool: 4 mm Hex (Standard), Tamper Proof Security Bit (Optional)