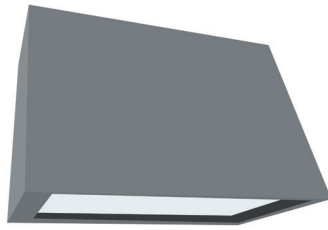


**FCW1011**



<b>Date:</b>	<b>Approved:</b>
<b>Type:</b>	
<b>Luminaire:</b>	
<b>Project:</b>	

**FCW1011** Trapezoidal Directional Wall Luminaire is IP65 rated and safe for wet locations in down position only. An appealing architectural design to meet the requirements of your building specification.

**SPECIFICATIONS**

PHYSICAL	
<b>dimensions</b>	12" W x 10" H x 4.9" D at top and 8.12" D at lens
<b>weight</b>	5 lbs
<b>housing</b>	Marine grade, corrosion resistant, heavy gauge aluminum
<b>lens</b>	1/8" thick tempered, clear, heat resistant lens
<b>mounting</b>	Mounts directly to standard junction box; masonry applications use four (4) 0.25" x 0.75" screws with lead anchors (fasteners not included, j-box by others)
<b>ingress protection</b>	IP65 : dry, damp or wet locations with extruded silicone gasket to seal out contaminants (down position only)
<b>finish</b>	Available in Black, Bronze, Graphite Grey, Silver, White and Custom Colors. Six stage chemical iron phosphate conversion pre-treatment. Polyester powder coat finish, 18 µm Min., 5,000 hour salt spray test (ASTM B117) compliant with Florida / AAMA 2604 specification.

PERFORMANCE	
<b>color temperature</b>	2700K, 3000K, 3500K, 4000K
<b>lumen output</b>	3000 lm
<b>lumen maintenance</b>	L70 >70,000 hours
<b>color consistency</b>	3 SDCM / standard: 85 CRI, optional: 90 CRI
<b>operating temperature</b>	-13°F to 104°F (-25°C to 40°C)
<b>warranty</b>	5-Year limited warranty

ELECTRICAL	
<b>input voltage</b>	Universal 120 - 277 VAC
<b>power supply</b>	Integral
<b>certifications</b>	ETL / cETL Listed, ADA Compliant
<b>standards</b>	UL 1598 / CSA C22.2 No. 250.0 - Class I / IES LM-79 / LM-80
<b>power consumption</b>	24W @ 120 - 277 VAC
<b>dimming</b>	optional: ELV (120 VAC Only), 0-10V (10%) Remote Only

Due to continuous development and improvements, specifications are subject to change without notice. FC Lighting reserves the right to change lab test details or specifications without notice. Product use certifies agreement to FC Lighting terms and conditions. FCC Series Cylinder Lights are engineered and produced in our Illinois manufacturing facility.

# Ordering Information

## PART NUMBER

FCW1011					30L		
SERIES	VOLTAGE	CCT	CRI	LUMENS	FINISH	OPTIONS	
<b>FCW1011</b>	<b>UNV</b>	UNV 120 - 277 VAC	<b>27K</b> 2700K	<b>CRI85</b> 85 CRI (Standard)	<b>30L</b> 3000 lm (24W)	<b>BKE</b> Black	<b>LD</b> 0-10V Dimming (Standard)
	<b>120V</b>	120 VAC	<b>3K</b> 3000K	<b>CRI90</b> 90 CRI		<b>BRE</b> Bronze	<b>PCL</b> Polycarbonate Lens
	<b>277V</b>	277 VAC (Photo Eye)	<b>35K</b> 3500K			<b>GRE</b> Graphite Grey	<b>SB</b> Sand-Blasted Lens
			<b>4K</b> 4000K			<b>SLE</b> Silver	<b>PE120</b> Photo Eye for 120V (Not w/BBUR)
					<b>WHE</b> White	<b>PE277</b> Photo Eye for 277V (Not w/BBUR)	
					<b>CCE</b> Custom Color	<b>ELV*</b> ELV Dimming *(120V Only)	
						<b>DMX</b> DMX Dimming (Integral)	
						<b>DALI</b> DALI Dimming (Integral)	

## REMOTE DRIVER & BATTERY BACKUP

FCW1011R					30L		
SERIES	VOLTAGE	CCT	CRI	LUMENS	FINISH	OPTIONS	
<b>FCW1011R<sup>†</sup></b>	<b>UNV</b>	UNV 120 - 277 VAC	<b>27K</b> 2700K	<b>CRI85</b> 85 CRI (Standard)	<b>30L</b> 3000 lm (24W)	<b>BKE</b> Black	<b>LD</b> 0-10V Dimming (Standard)
			<b>3K</b> 3000K	<b>CRI90</b> 90 CRI		<b>BRE</b> Bronze	<b>PCL</b> Polycarbonate Lens
			<b>35K</b> 3500K			<b>GRE</b> Graphite Grey	<b>SB</b> Sand-Blasted Lens
			<b>4K</b> 4000K			<b>SLE</b> Silver	<b>BBUR<sup>1</sup></b> Battery Backup Remote (Indoor)
					<b>WHE</b> White	<b>BBUX<sup>2</sup></b> Battery Backup Remote (Outdoor)	
					<b>CCE</b> Custom Color	<b>N/A<sup>†</sup></b> Leave Blank for Remote Driver Only (without Battery Backup)	

<sup>†</sup> LED DRIVER REMOTE (INDOOR) IP20, IK08, NEMA 1, -20°C to +50°C, 30' MAX Distance with 12AWG.

\*Consult factory for outdoor remote driver only.

<sup>1</sup> Battery Back-up & LED Driver Remote (INDOOR), IP20, IK08, NEMA 1, 0°C to +48°C, 30' MAX Distance with 12AWG (w/UNV Option Only)

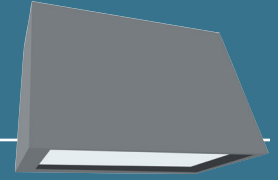
<sup>2</sup> Battery Back-up & LED Driver Remote (OUTDOOR), IP67, IK10, NEMA 4X, -20°C to +55°C, 30' MAX Distance with 12AWG (w/UNV Option Only)

Due to continuous development and improvements, specifications are subject to change without notice. FC Lighting reserves the right to change lab test details or specifications without notice. Product use certifies agreement to FC Lighting terms and conditions. FCC Series Cylinder Lights are engineered and produced in our Illinois manufacturing facility.

 US Commercial Lighting Manufacturer Since 1982

Specification Sheet

# Dimensions



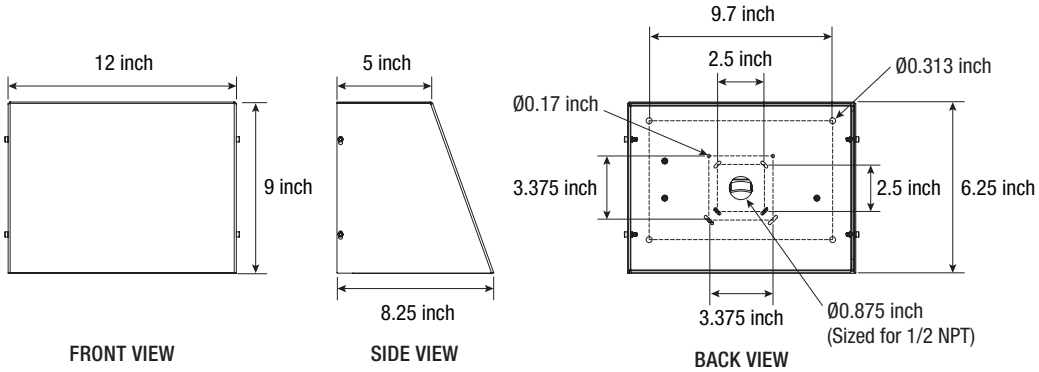
**PRODUCT DIMENSIONS - STANDARD PRODUCT**

**MOUNTING - *j*-box sold by others**

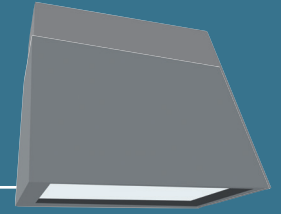
<b>width</b>	12" W
<b>height</b>	10" H
<b>depth (top)</b>	5" D
<b>depth (lens)</b>	8.25" D

<b>mounting cleat width</b>	10" W
<b>mounting cleat height</b>	6.25" H

mounting plate:  
mounts flush to *j*-box  
surface and is included  
with luminaire

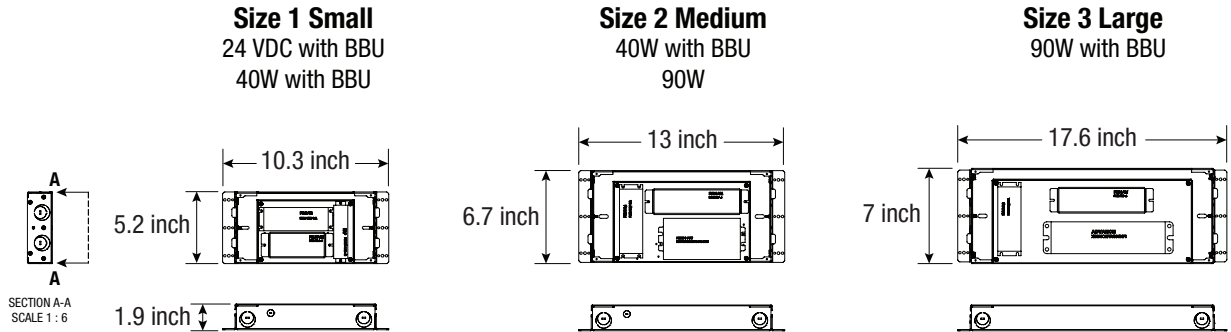


Due to continuous development and improvements, specifications are subject to change without notice. FC Lighting reserves the right to change lab test details or specifications without notice. Product use certifies agreement to FC Lighting terms and conditions. FCC Series Cylinder Lights are engineered and produced in our Illinois manufacturing facility.

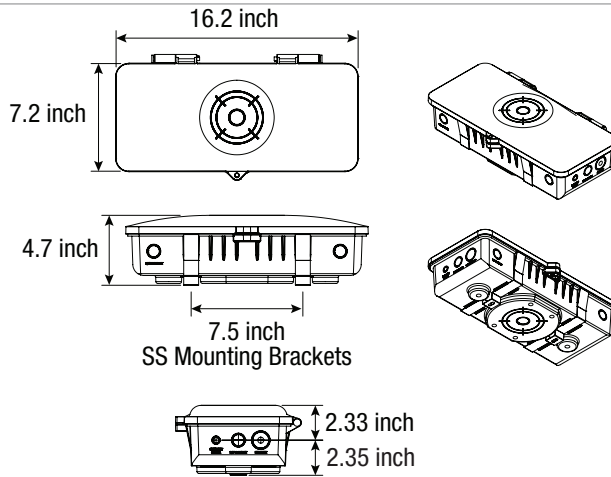


# Battery Backup

**BBUR** — Battery Backup & LED Driver Remote (Indoor), IP20, IK08, NEMA 1, 0 to 48 °C (32 to 118 °F), 30 feet Maximum Distance with 12 AWG (with UNV Option Only)



**BBUX** — Battery Backup & LED Driver Remote (Outdoor), IP67, IK10, NEMA 4X, -20 to 55 °C (-4 to 131 °F), 30 feet Maximum Distance with 12AWG (with UNV Option Only)



Due to continuous development and improvements, specifications are subject to change without notice. FC Lighting reserves the right to change lab test details or specifications without notice. Product use certifies agreement to FC Lighting terms and conditions. FCC Series Cylinder Lights are engineered and produced in our Illinois manufacturing facility.