

Date: _____

Type: _____

Luminaire: _____

Project: _____

Approved:

FCSL2008



FCSL2008 13" exterior mid-size step light with 316 stainless steel open faceplate, for masonry or drywall construction. IP68 rated for damp, dry or wet locations.



SPECIFICATIONS

PHYSICAL

dimensions	13" W x 4.5" H x 3.9" D
weight	5 lbs
housing	Marine grade, corrosion resistant, heavy walled, high pressure die-cast housing with grade 316 stainless steel faceplate construction including snap-in Screwless faceplate standard. Optional captive recessed stainless steel tamper resistant screws (TRS option). Back Box is high strength, black Polycarbonate with UV protection (UL 746C rated f1) and flame rated (UL94 5VA).
lens	White glass lens
mounting	Concrete pour, masonry, solid composite, special construction, and drywall construction mounting kit included. Hanger bar mounting optional.
ingress protection	Optical / driver unit is IP68 rated dry, damp or wet locations. All seals are injection molded silicone.
faceplate finish	Die cast aluminum faceplate. Six stage chemical iron phosphate conversion pre-treatment. Polyester powder coat finish, 18 µm minimum thickness, 5,000 hour salt spray test (ASTM B117) compliant with Florida, AAMA 2604 specification.

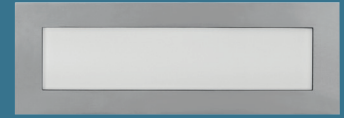
PERFORMANCE

color	2700K, 3000K, 3500K, 4000K, 5000K, Amber, Red, Blue
lifetime	L70 > 70,000 hours
color consistency	3 SDCM, 85 CRI (White Light)
operating temperature	-13°F to 104°F (-30°C to 40°C)
warranty	5-Year limited warranty (refer to website for details)

ELECTRICAL

input voltage	Universal 120 - 277 VAC
power supply	Integral, electronic high-power factor > 94% @ 120V, THD of ≤ 20%
standards	cETLus
power consumption	15W (857 lm), 7W (428 lm)
dimming	standard: 0-10V dimming (10% minimum), optional: TRIAC dimming (120V only), 0-10V dimming (1% minimum)

Due to continuous development and improvements, specifications are subject to change without notice. FC Lighting reserves the right to change lab test details or specifications without notice. Product use certifies agreement to FC Lighting terms and conditions.



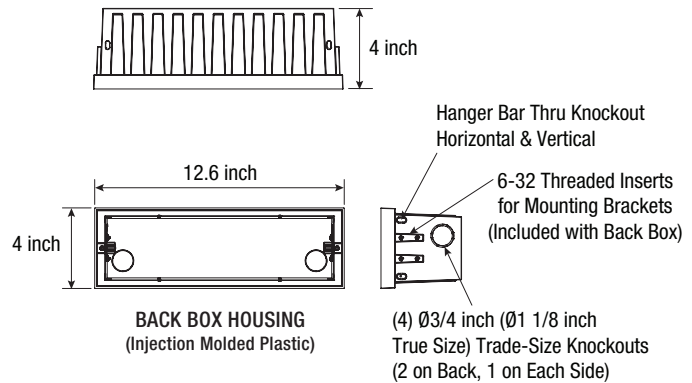
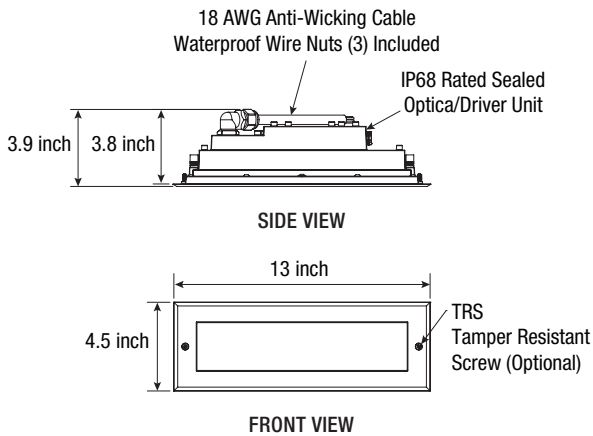
Ordering Information

PART NUMBER										
FCSL2008								SS		
MODEL	VOLTAGE		CCT		CRI	LUMENS		FINISH	OPTIONS	
FCSL2008	UNV	120 - 277 VAC		White Light		CRI85 ²	85 CRI		SS	LD ² 0-10V Dimming - 1% minimum ET TRIAC Dimming (120V only) TRS Tamper Resistant Screws (Torx Pin) HB Hanger Bar (Drywall Mounting) LBB ³ Less Back Box - for shipment separate of Back Box
		120V ¹ 120 VAC		27K 2700K	Mono Color		4L ² 428 lm (7W)			
			27K 2700K	AMB Amber >560nm (14W)	9L ² 857 lm (15W)					
			3K 3000K	RED Red (14W)						
			35K 3500K	BLU Blue (14W)						
		4K 4000K								
		5K 5000K								

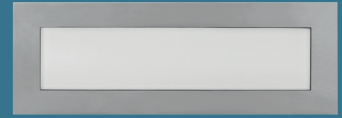
Footnote:
¹ For ET option.
² For White Light. Does not apply to Mono Color.
³ Luminaire must be mounted into FC Lighting supplied Back Box shipped with or separate of luminaire.

BACK BOX KITS	
A2000-BB-ETL	Back Box Kit - Complete Back Box shipped with mounting kit, shipped in advance of luminaire.
A2000-BB-ETL-HB	Back Box Kit w/ Hanger Bar - Includes (#A2000-BB-ETL) Complete Back Box shipped with mounting kit and Hanger Bar (HB), shipped in advance of luminaire.

PRODUCT DIMENSIONS		MOUNTING	
width	13" W	back box width	12.6" W
height	4.5" H	back box height	4" H
depth	3.9" D	back box depth	4" D



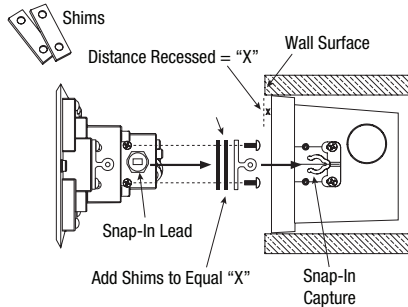
Due to continuous development and improvements, specifications are subject to change without notice. FC Lighting reserves the right to change lab test details or specifications without notice. Product use certifies agreement to FC Lighting terms and conditions.



Back Box Assemblies and Options

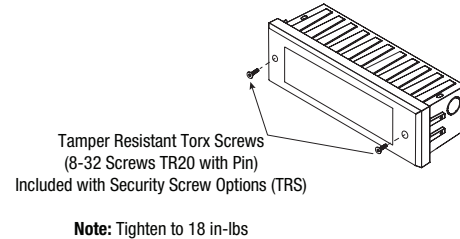
SHIMS - (8 each) Included with Luminaire

Shims provided to compensate for Back Box misalignment

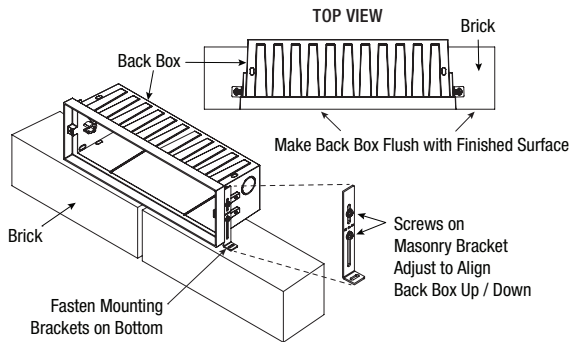


OPTIONAL — Tamper Resistant Screws (TRS)

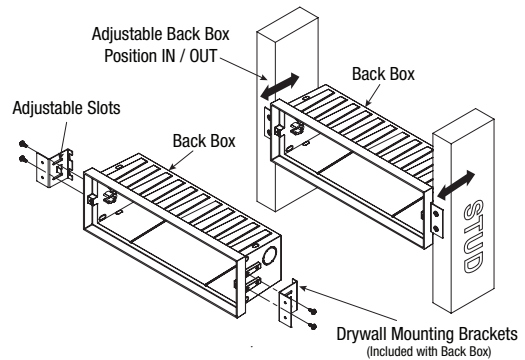
Torx screws with pin, finished to compliment faceplate finish



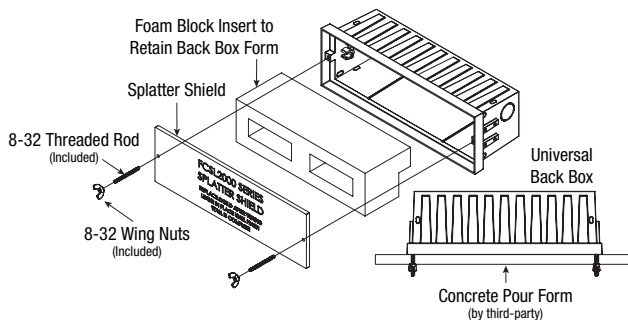
MASONRY BRACKETS — Included with Black Box Kit



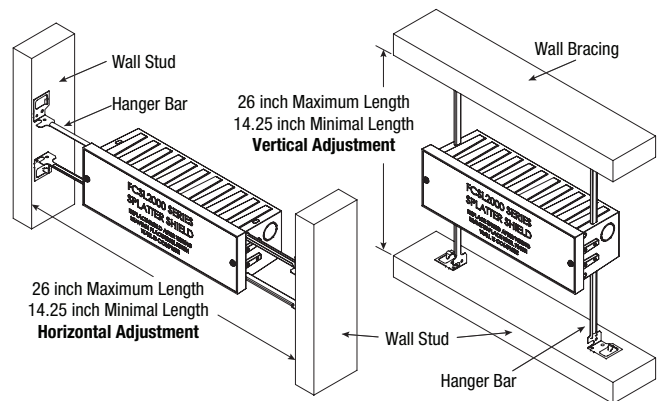
DRYWALL BRACKETS — Included with Black Box Kit



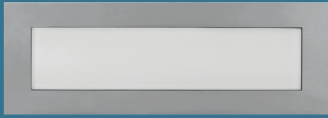
CONCRETE POUR SETUP — Included with Black Box Kit



OPTIONAL — Hanger Bars (HB)



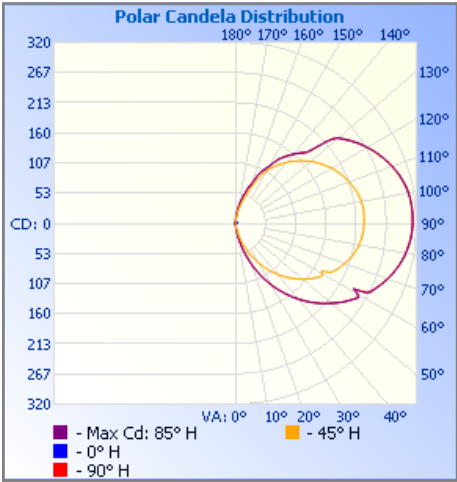
Due to continuous development and improvements, specifications are subject to change without notice. FC Lighting reserves the right to change lab test details or specifications without notice. Product use certifies agreement to FC Lighting terms and conditions.



Photometry

OPTICAL DISTRIBUTION

lumen output	857 lm	428 lm
power consumption	15W	7W



itl illuminations testing laboratory : Report #5088

Due to continuous development and improvements, specifications are subject to change without notice. FC Lighting reserves the right to change lab test details or specifications without notice. Product use certifies agreement to FC Lighting terms and conditions.