

**Date:** \_\_\_\_\_

**Type:** \_\_\_\_\_

**Luminaire:** \_\_\_\_\_

**Project:** \_\_\_\_\_

**Approved:**

## FCSL2003



**FCSL2003** 13" exterior die-cast aluminum step light with heavy walled die-cast louvered faceplate, for masonry or drywall construction. IP68 rated for damp, dry or wet locations.



### SPECIFICATIONS

#### PHYSICAL

<b>dimensions</b>	13" W x 4.5" H x 3.9" D
<b>weight</b>	5 lbs
<b>housing</b>	Marine grade, corrosion resistant, heavy walled, high pressure, die-cast aluminum with snap-in Screwless faceplate standard. Optional captive recessed stainless steel tamper resistant screws (TRS option). Back Box is high strength, black Polycarbonate with UV protection (UL 746C rated f1) and flame rated (UL94 5VA).
<b>lens</b>	White glass lens
<b>mounting</b>	Concrete pour, masonry, solid composite, special construction, and drywall construction mounting kit included. Hanger bar mounting optional.
<b>ingress protection</b>	Optical / driver unit is IP68 rated dry, damp or wet locations. All seals are injection molded silicone.
<b>faceplate finish</b>	Die cast aluminum faceplate. Six stage chemical iron phosphate conversion pre-treatment. Polyester powder coat finish, 18 µm minimum thickness, 5,000 hour salt spray test (ASTM B117) compliant with Florida, AAMA 2604 specification.

#### PERFORMANCE

<b>color</b>	2700K, 3000K, 3500K, 4000K, 5000K, Amber, Red, Blue
<b>lifetime</b>	L70 > 70,000 hours
<b>color consistency</b>	3 SDCM, 85 CRI (White Light)
<b>operating temperature</b>	-13°F to 104°F (-30°C to 40°C)
<b>warranty</b>	5-Year limited warranty (refer to website for details)

#### ELECTRICAL

<b>input voltage</b>	Universal 120 - 277 VAC
<b>power supply</b>	Integral, electronic high-power factor > 94% @ 120V, THD of ≤ 20%
<b>standards</b>	cETLus
<b>power consumption</b>	14W (209 lm), 20W (299 lm)
<b>dimming</b>	optional: TRIAC dimming (120V only), 0-10V dimming (1% minimum)

Due to continuous development and improvements, specifications are subject to change without notice. FC Lighting reserves the right to change lab test details or specifications without notice. Product use certifies agreement to FC Lighting terms and conditions.



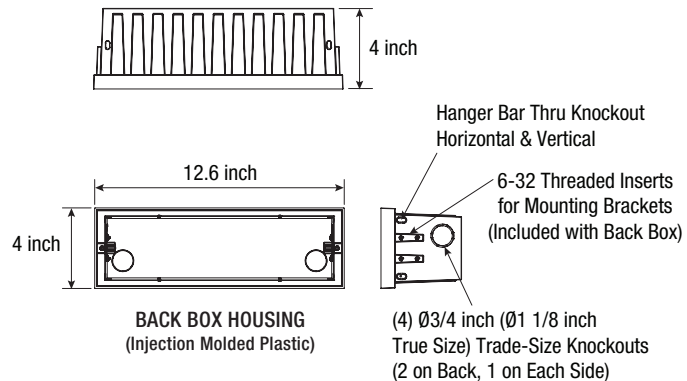
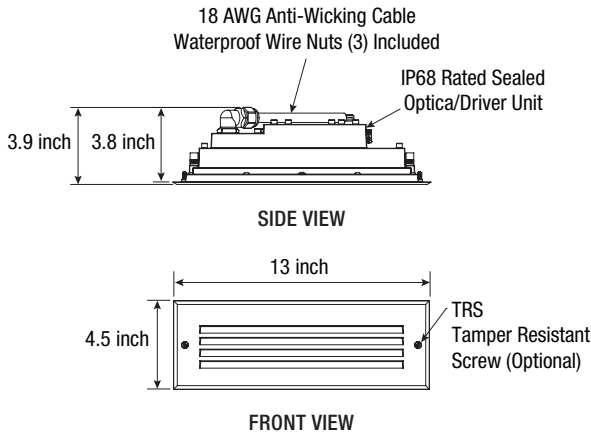
# Ordering Information

PART NUMBER										
FCSL2003										
MODEL	VOLTAGE		CCT		CRI	LUMENS		FINISH		OPTIONS
FCSL2003	UNV	120 - 277 VAC	<b>White Light</b>		CRI85 <sup>2</sup>	85 CRI	2L <sup>2</sup> 209 lm (14W)	BKE	Black	LD <sup>2</sup> 0-10V Dimming - 1% minimum
		120V <sup>1</sup> 120 VAC	27K 2700K	<b>Mono Color</b>						
			3K 3000K	AMB Amber >560nm (14W)			GRE	Graphite Grey	TRS Tamper Resistant Screws (Torx Pin)	
			35K 3500K	RED Red (14W)			SLE	Silver	HB Hanger Bar (Drywall Mounting)	
			4K 4000K	BLU Blue (14W)			WHE	White	LBB <sup>3</sup> Less Back Box - for shipment separate of Back Box	
		5K 5000K				CCE	Custom Color			

Footnote:  
<sup>1</sup> For ET option.  
<sup>2</sup> For White Light. Does not apply to Mono Color.  
<sup>3</sup> Luminaire must be mounted into FC Lighting supplied Back Box shipped with or separate of luminaire.

BACK BOX KITS	
<b>A2000-BB-ETL</b>	Back Box Kit - Complete Back Box shipped with mounting kit, shipped in advance of luminaire.
<b>A2000-BB-ETL-HB</b>	Back Box Kit w/ Hanger Bar - Includes (#A2000-BB-ETL) Complete Back Box shipped with mounting kit and Hanger Bar ( <b>HB</b> ), shipped in advance of luminaire.

PRODUCT DIMENSIONS		MOUNTING	
<b>width</b>	13" W	<b>back box width</b>	12.6" W
<b>height</b>	4.5" H	<b>back box height</b>	4" H
<b>depth</b>	3.9" D	<b>back box depth</b>	4" D



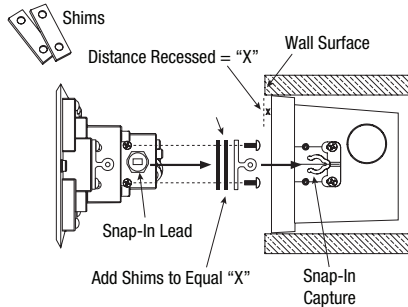
Due to continuous development and improvements, specifications are subject to change without notice. FC Lighting reserves the right to change lab test details or specifications without notice. Product use certifies agreement to FC Lighting terms and conditions.



# Back Box Assemblies and Options

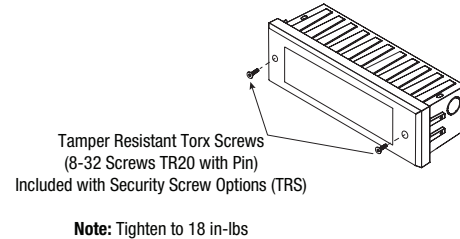
## SHIMS - (8 each) Included with Luminaire

Shims provided to compensate for Back Box misalignment

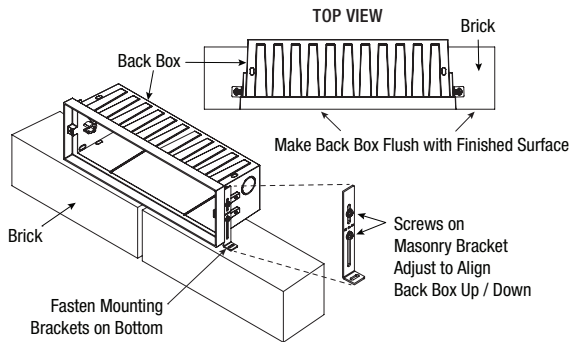


## OPTIONAL — Tamper Resistant Screws (TRS)

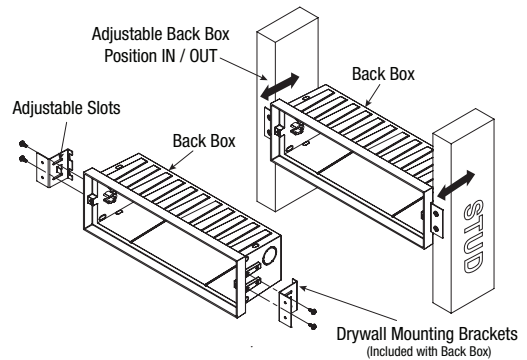
Torx screws with pin, finished to compliment faceplate finish



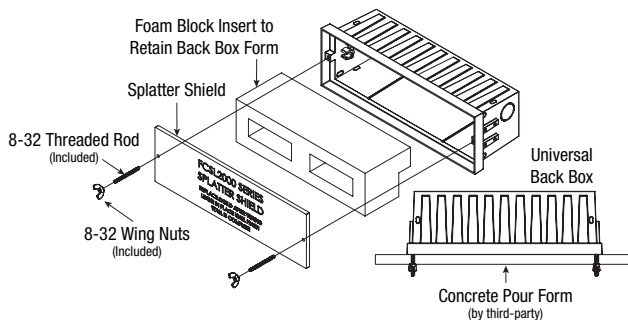
## MASONRY BRACKETS — Included with Black Box Kit



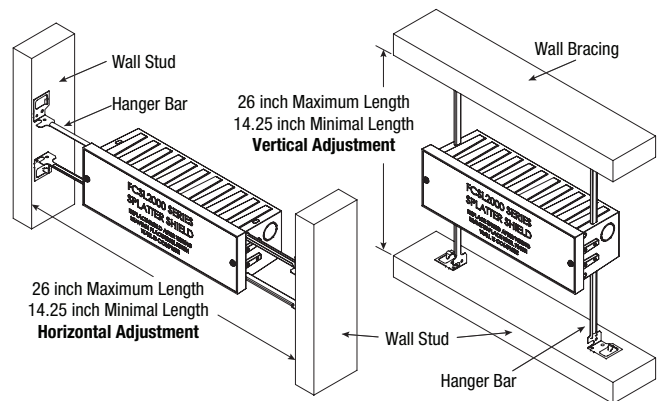
## DRYWALL BRACKETS — Included with Black Box Kit



## CONCRETE POUR SETUP — Included with Black Box Kit



## OPTIONAL — Hanger Bars (HB)



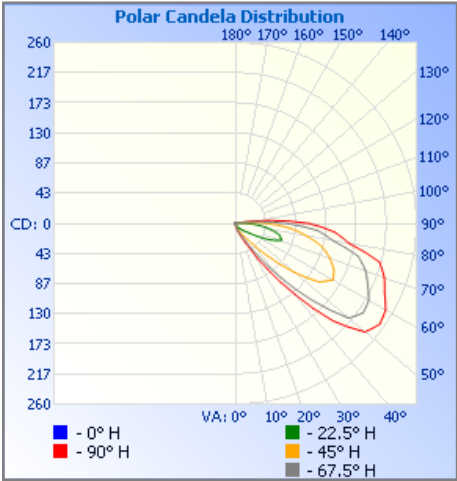
Due to continuous development and improvements, specifications are subject to change without notice. FC Lighting reserves the right to change lab test details or specifications without notice. Product use certifies agreement to FC Lighting terms and conditions.



# Photometry

## OPTICAL DISTRIBUTION

<b>lumen output</b>	299 lm	209 lm
<b>power consumption</b>	20W	14W



itl illuminations testing laboratory : Report #3737

Due to continuous development and improvements, specifications are subject to change without notice. FC Lighting reserves the right to change lab test details or specifications without notice. Product use certifies agreement to FC Lighting terms and conditions.