

FCP660 FCP661



FCP660 and FCP661 14" Pendant light is an adjustable cable mount fixture with die-cast aluminum shade frame over etched aluminum, ribbed acrylic or a glass shade that comes in a variety of color options.



SPECIFICATIONS

PHYSICAL	
dimensions	FCP660: 13.625" Ø x 11" (Shade) H + 8.875" (Canopy) H FCP661: 13.625" Ø x 11.625" (Shade) H
weight	12 lbs
housing	marine grade, corrosion resistant, heavy guage aluminum
shade	standard: die-cast aluminum shade frame; glass shade with framed tempered etched perimeter glass lens and clear center surface optional: polished exterior, etched aluminum (EA) reflector with anodized etched interior; ribbed acrylic (RA)
mounting	mounts directly to standard junction box; grip-lock aviation cable supplied; adjustable cable (8"-120") standard
ingress protection	IP20 : dry locations with neoprene continuous closed cell gasket to seal out contaminants
finish	Six stage cleaning and saline pre-treatment. TGIC polyester powder coat finish

PERFORMANCE					
color temperature	2700K	3000K	3500K	4000K	
lumen output	4000 lm (FCP660 & FCP661) 6000 lm (FCP660 Only)				
lifetime	> 70,000 hours / L70 or better				
color consistency	3 SDCM 85 or 90 CRI				
operating temperature	-13°F to 104°F (-25°C to 40°C)				
junction temperature	73°C @ T ^a 25°C				
warranty	5-Year limited warranty (refer to website for details)				

ELECTRICAL	
input voltage	Universal 120-277VAC optional: 347VAC (integral)
power supply	integral Class II, electronic high-power factor > 94% @120V
certifications	ETL / cETL Listed, CEC Title 24 JA8 compliant (only 90CRI)
standards	UL1598/CSA C22.2 No. 250.0; UI 8750/CSA C22.2 No. 250.13/IES LM-79/LM-80
power consumption	60W @ 6000 lm (maximum) 40W @ 4000 lm (minimum)
dimming	LD 0-10V Dimming (1%) ELV (120V only) (40W Max)

Due to continuous development and improvements, specifications are subject to change without notice. FC Lighting reserves the right to change lab test details or specifications without notice. Product use certifies agreement to FC Lighting terms and conditions. FCC Series Cylinder Lights are engineered and produced in our Illinois manufacturing facility.

FCP660 / FCP661

Ordering Information



ORDERING INFORMATION

Example: FCP660-UNV-3K-CRI85-6000-TG-RA-LD

FCP660														
SERIES	VOLTAGE		CCT		CRI		LUMENS		FINISH	SHADE COLOR		OPTIONS		
FCP660	UNV	UNV 120V-277V	27K	2700K	CRI85	85 CRI	40L	4000 lm (40W)	CC	Custom Color	EA	Etched Aluminum	LD	0-10V Dimming, 1%
	120V	120V AC	3K	3000K	CRI90	90 CRI	60L	6000 lm (60W) ^A	TG	Textured Gray	RA	Ribbed Acrylic	ELV	ELV Dimming (120V /40W only)
	347V	347V AC (remote)	35K	3500K							WH	White		
			4K	4000K										

^A 6000 lm with RA or White shade.

REMOTE DRIVER & BATTERY BACKUP

FCP660R														
SERIES	VOLTAGE		CCT		CRI		LUMENS		FINISH	SHADE COLOR		OPTIONS		
FCP660R [†]	UNV	UNV 120V-277V	27K	2700K	CRI85	85 CRI	40L	4000 lm (40W)	CC	Custom Color	EA	Etched Aluminum	LD	0-10V Dimming, 1%
			3K	3000K	CRI90	90 CRI	60L	6000 lm (60W) ^A	TG	Textured Gray	RA	Ribbed Acrylic	BBUR ¹	Battery Backup Remote (Indoor)
			35K	3500K							WH	White	N/A	Leave Blank for Remote Driver Only (without Battery Backup)
			4K	4000K										

^A 6000 lm with RA or White shade.

[†] LED DRIVER REMOTE (INDOOR) IP20, IK08, NEMA 1, -20°C to +50°C, 30' MAX Distance with 12AWG.

* Consult factory for outdoor remote driver only.

¹ Battery Back-up & LED Driver Remote (INDOOR), IP20, IK08, NEMA 1, 0°C to +48°C, 30' MAX Distance with 12AWG (w/UNV Option Only)

FCP661														
SERIES	VOLTAGE		CCT		CRI		LUMENS		FINISH	SHADE COLOR		OPTIONS		
FCP661	UNV	UNV 120V-277V	27K	2700K	CRI85	85 CRI	40L	4000 lm (40W)	CC	Custom Color	EA	Etched Aluminum	LD	0-10V Dimming, 1%
	120V	120V AC	3K	3000K	CRI90	90 CRI			TG	Textured Gray	RA	Ribbed Acrylic	ELV	ELV Dimming (120V /40W only)
	347V	347V AC (remote)	35K	3500K							WH	White		
			4K	4000K										

REMOTE DRIVER & BATTERY BACKUP

FCP661R														
SERIES	VOLTAGE		CCT		CRI		LUMENS		FINISH	SHADE COLOR		OPTIONS		
FCP661R [†]	UNV	UNV 120V-277V	27K	2700K	CRI85	85 CRI	40L	4000 lm (40W)	CC	Custom Color	EA	Etched Aluminum	LD	0-10V Dimming, 1%
			3K	3000K	CRI90	90 CRI			TG	Textured Gray	RA	Ribbed Acrylic	BBUR ¹	Battery Backup Remote (Indoor)
			35K	3500K							WH	White	N/A	Leave Blank for Remote Driver Only (without Battery Backup)
			4K	4000K										

[†] LED DRIVER REMOTE (INDOOR) IP20, IK08, NEMA 1, -20°C to +50°C, 30' MAX Distance with 12AWG.

* Consult factory for outdoor remote driver only.

¹ Battery Back-up & LED Driver Remote (INDOOR), IP20, IK08, NEMA 1, 0°C to +48°C, 30' MAX Distance with 12AWG (w/UNV Option Only)

Consult Factory for other options and configurations.

To ensure you receive proper configurations for your lighting specifications, contact us directly about any unique application requirements. This may include but not be limited to lumen output, mounting needs, or electrical requirements.

Due to continuous development and improvements, specifications are subject to change without notice. FC Lighting reserves the right to change lab test details or specifications without notice. Product use certifies agreement to FC Lighting terms and conditions. FCC Series Cylinder Lights are engineered and produced in our Illinois manufacturing facility.



US Commercial Lighting Manufacturer Since 1982

© FC Lighting

3609 Swenson Ave. • St. Charles, IL • 60174 | fclighting.com | 800.900.1730

Specification Sheet

J0-DM-111422

FCP660 / FCP661

Dimensions



PRODUCT DIMENSIONS - FCP660 STANDARD PRODUCT		MOUNTING FCP660 - j-box sold by others	
width	13.625" Ø	mounting plate width	4.5" W
height (shade)	11" H		
height (housing)	8.875" H		
height (canopy)	1.25" H		
		<p>3.5" or 2.75" mounting diameter</p> <p>j-box mounting plate: mounts flush to surface and is included with fixture</p>	

PRODUCT DIMENSIONS - FCP661 STANDARD PRODUCT		MOUNTING FCP661 - j-box sold by others	
width	13.625" Ø	mounting plate width	6.3" W
height (shade)	11.625" H		
deep ballast canopy (DBC)	2.2" H		

Shade Colors



Ribbed Acrylic

Etched Aluminum

White

Due to continuous development and improvements, specifications are subject to change without notice. FC Lighting reserves the right to change lab test details or specifications without notice. Product use certifies agreement to FC Lighting terms and conditions. FCC Series Cylinder Lights are engineered and produced in our Illinois manufacturing facility.

US Commercial Lighting Manufacturer Since 1982

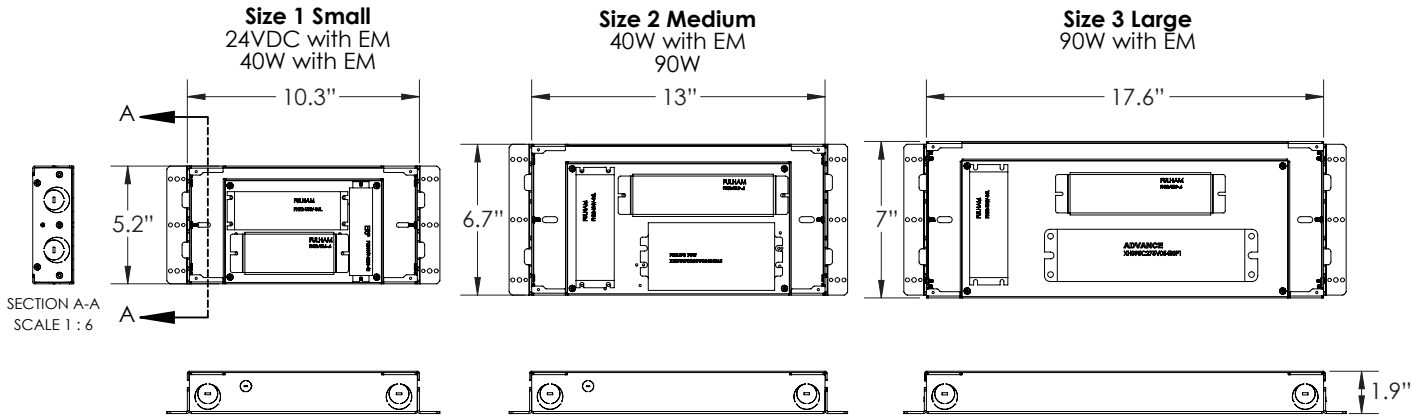
© FC Lighting 3609 Swenson Ave. • St. Charles, IL • 60174 | fcighting.com | 800.900.1730

Specification Sheet

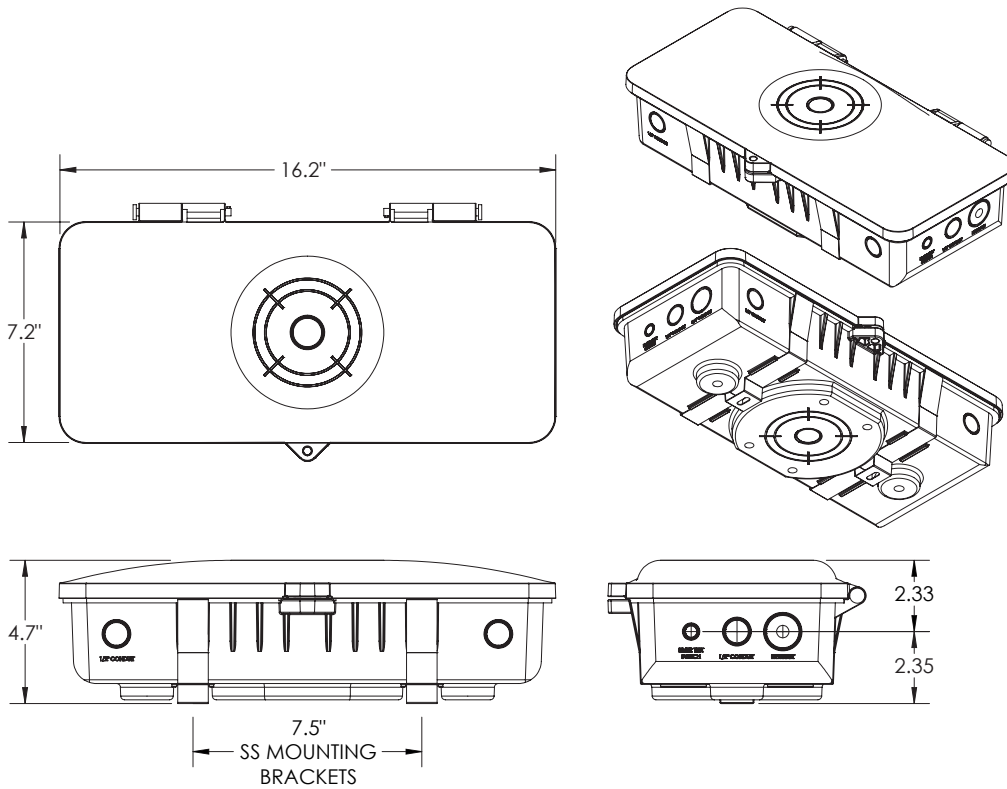
J0-DM-111422

BATTERY BACK-UPS

BBUR - BATTERY BACK-UP & LED DRIVER REMOTE (INDOOR), IP20, IK08, NEMA 1, 0°C to +48°C, 30' MAX Distance with 12AWG (w/UNV Option Only)



BBUX - BATTERY BACK-UP & LED DRIVER REMOTE (OUTDOOR), IP67, IK10, NEMA 4X, -20°C to +55°C, 30' MAX Distance with 12AWG (w/UNV Option Only)



Due to continuous development and improvements, specifications are subject to change without notice. FC Lighting reserves the right to change lab test details or specifications without notice. Product use certifies agreement to FC Lighting terms and conditions. FCC Series Cylinder Lights are engineered and produced in our Illinois manufacturing facility.